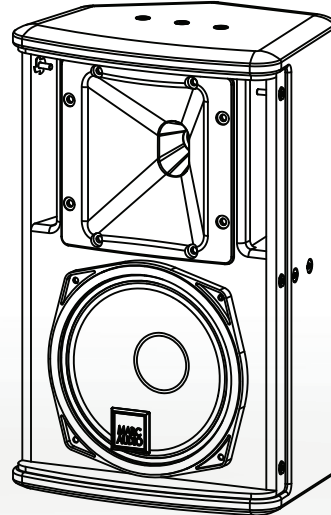
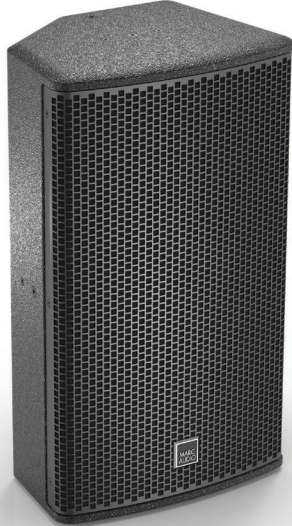


MC-12

1 x 12" 2 way Loudspeaker

MARC
AUDIO



General specifications:

The Marc Audio MC-12 Series is a 450 Watts compact 12" passive two way loudspeaker that is ideally suited for a wide range of portable or installed sound reinforcement applications. The MC-12 consists of a trapezoidal enclosure housing a high excursion LF 1 x12" (75mm voice coil, ferrite) reflex loaded low frequency driver with low mass voice coil for improved frequency response, with a HF 1x1.75" (1" throat, 44mm voice coil, ferrite) high temperature compression driver, with nominal coverage of 80° x 50° dispersion pattern.

Technical Specifications:

| | |
|--------------------|--|
| Frequency Response | 55Hz ~ 18KHz (± 3 dB) 40Hz ~ 20KHz (-10dB) |
| Nominal coverage | (-6dB): 80° x 50° |
| Sensitivity | (@1w/1m): 96dB |
| Power rating | 450W (AES) |
| Nominal impedance | 8 Ohms |
| Maximum SPL | 122 dB SPL, 128dB SPL peak |
| Drivers | HF 1x1.75" (1" throat, 44mm voice coil, Fe) LF 1x12" (75mm voice coil, ferrite) |
| Connectors | NEUTRIK NL4MP*2 |
| Speaker Cable | (Sub out 1 + 1-) |
| Materials | 15mm, 18mm Baltic Birch Plywood |
| Finish | Black Polyurea Coatings |
| Grill | Black Epoxy Mesh Grill with Acoustically Reticulated Material |
| Rigging | M8 Rigging |
| Dimensions(H*W*D) | 627*368*288mm |